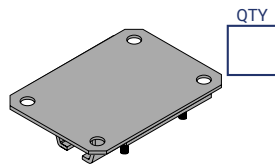




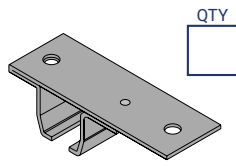
## Step 1 - Item Quantity Check

Make sure you received all the parts you ordered by:

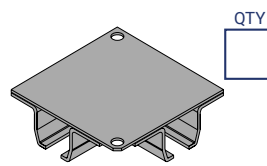
- Take the packing list on the side of one of the boxes off
- Compare packing list with the received parts
- If you need a visual matching of the part number please note page 2



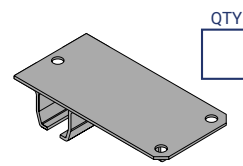
**Ceiling Connector**  
2x Set Screws included  
P/N: CMC-K37  
Includes 4 Locking Nuts



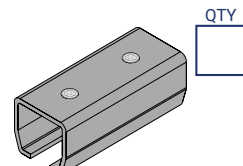
**Ceiling Split Support**  
P/N: CMS-K37-A  
Includes 1 Locking Nut



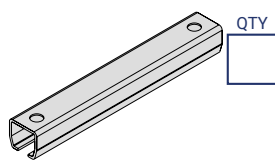
**Ceiling Corner Connector**  
2x Set Screws included  
P/N: CMA-K62



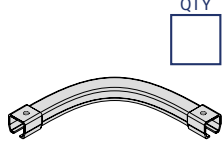
**Ceiling T-Connector**  
3x Set Screws included  
P/N: CMT-K63



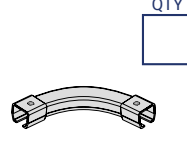
**Plain Connector**  
P/N: PC-K38



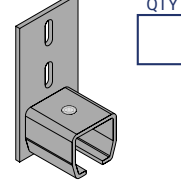
**Straight Track**



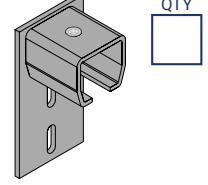
**90° Curve Track**  
2x Set Screws included  
P/N: 90P-K25



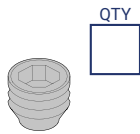
**45° Curve Track**  
2x Set Screws included  
P/N: 45P-K27



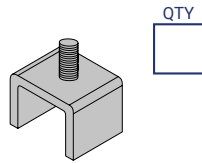
**Wall Mount End Stop Flange Up**  
P/N: WMESU-K33



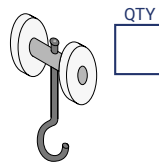
**Wall Mount End Stop Flange Down**  
P/N: WMESD-K32



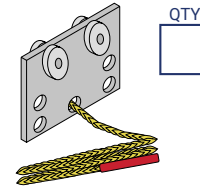
**Set Screw**  
All Set Screws are in one package



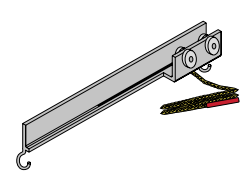
**Adjustable End Stop**  
P/N: ESA-K31A



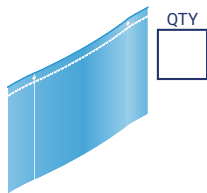
**Roller**  
Nylon - P/N: NY-K42  
Steel - P/N: SR-K44



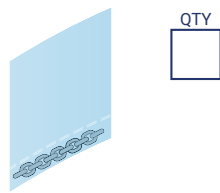
**Pull Trolley Steel Rollers**  
4ft Rope - P/N: PRT-K80  
10ft Rope - P/N: PRT-K



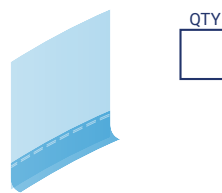
**Overlap Trolley Steel Rollers**  
4ft Rope - P/N: OLT-K70  
10ft Rope - P/N: OLT-10



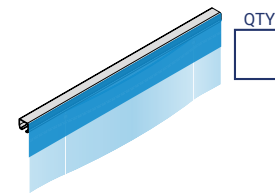
**Curtains with Grommets**



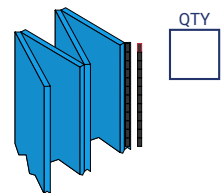
**Chain Weighted Bottom**  
Sewn into hem



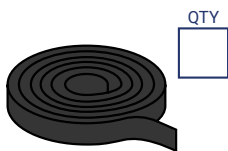
**Floor Sweep**  
Attached to curtain



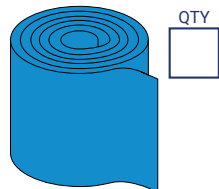
**Valance**  
Attached to track



**Edge Sealing**  
Wall Attachment Strip (2"x4")  
Thermal & Acoustic Only



**Adhesive Velcro**  
Color - Black, White

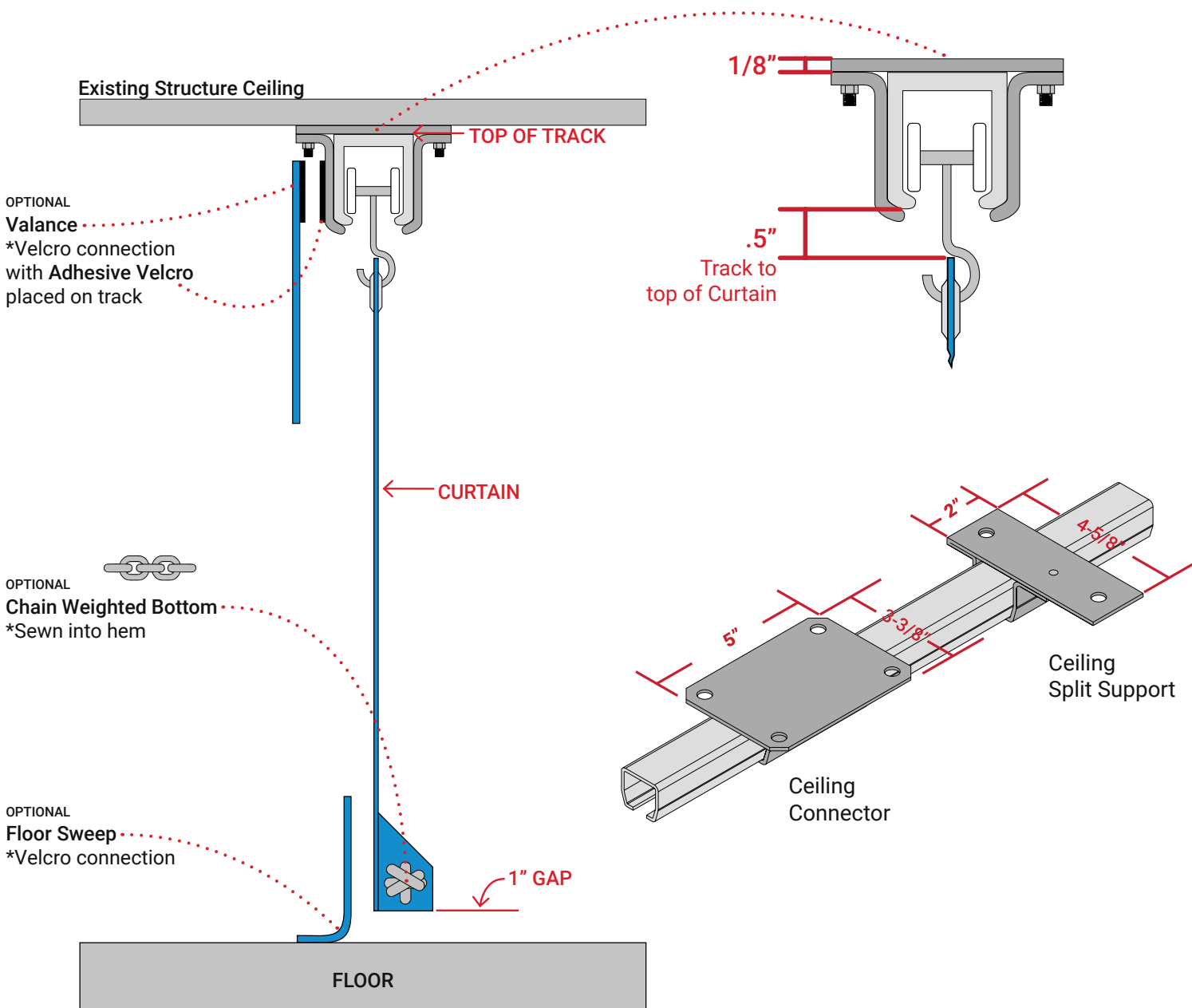


**Vinyl Tape**  
Color - Royal Blue, Gray, Black, White

**Step 2 - Measurement Check**

**IMPORTANT NOTE:** The TOP OF THE TRACK has to be mounted at \_\_\_\_\_ ft. \_\_\_\_\_ in. off the floor.

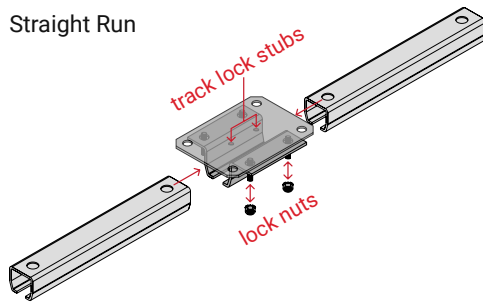
There will be a 1" gap between the bottom edge of the curtain and the floor. Floor sweeps are not included, please see below drawing. This dimension is also located atop your quotation. Make sure that the track is level, to ensure that the trolleys slide smoothly.



**Step 3 - Determining where to use Connectors, Plain Connectors and Split Supports**

**PLEASE NOTE: AmCraft Manufacturing does not provide ceiling anchor fasteners**

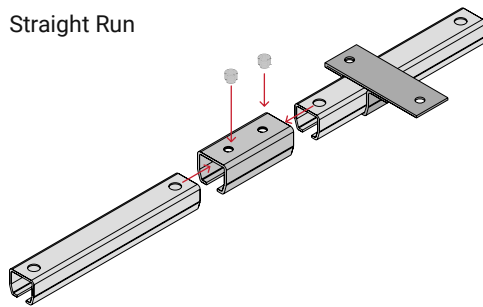
Straight Run



**Ceiling Connector**

Connects two pieces of track together and supports the track as well. Every 5' support is recommended.

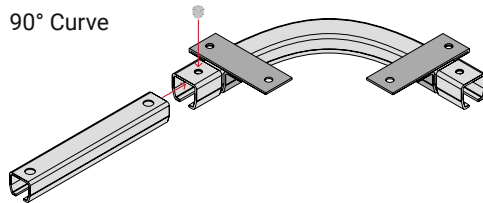
Straight Run



**Plain Connector with Ceiling Split Support**

Using a plain connector with a split support. Please use a support every 5'. Split supports can be placed anywhere along the track except for directly on top of a plain connector.

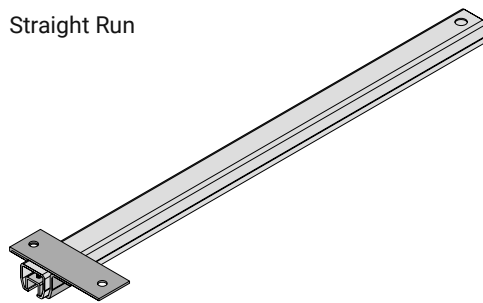
90° Curve



**Ceiling Split Support with 90° or 45° Track Curve**

These have a plain connector welded onto each end. Place the split support next to said connector both ends of the curved track.

Straight Run



**Ceiling Split Support**

Used to support the end of a track run if the track is not run all the way to a wall. Also, used as mentioned above.

**Step 4 - Placing Rollers & Trolleys**

Important: The trolleys and the adjustable end stops need to be placed in the track before securing the end of the track to a wall.

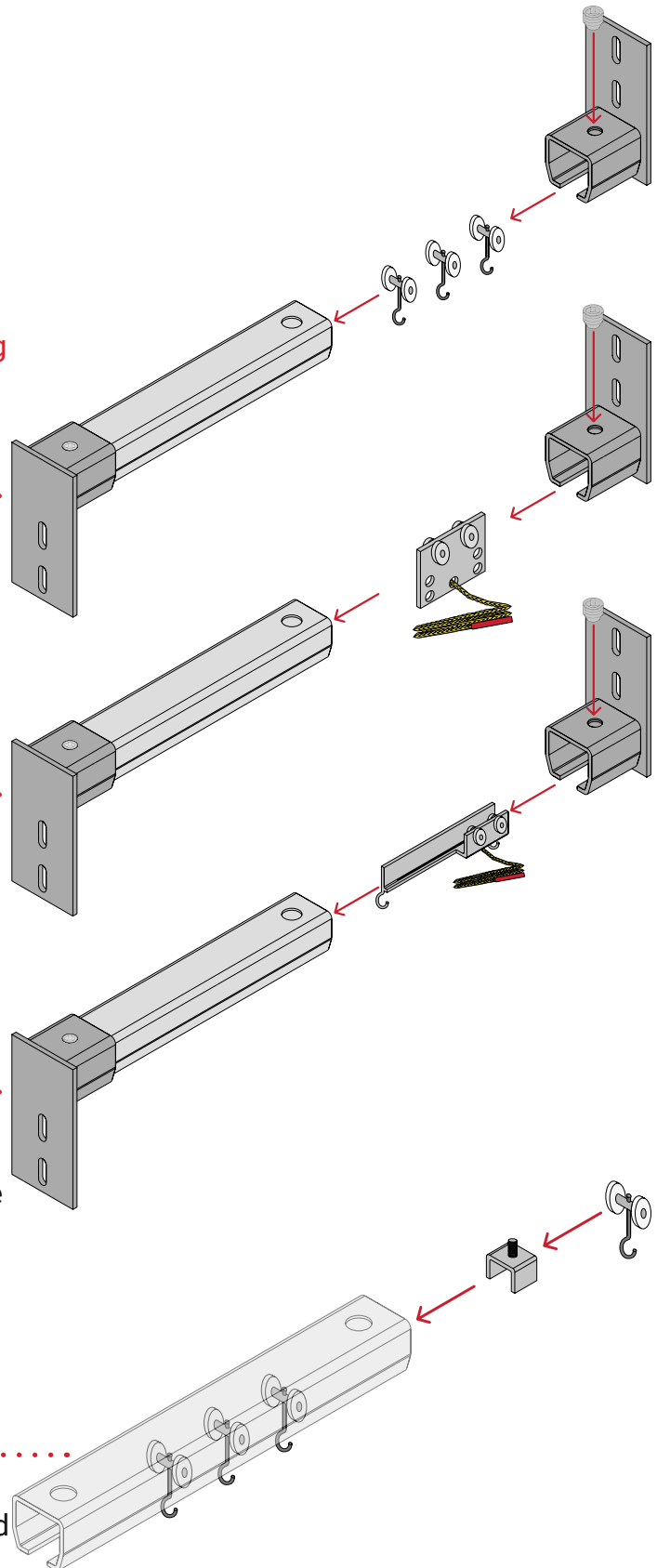
Each grommet on your curtain needs a Trolley. Please slide the amount of trolleys needed to hang your curtain into the track (be sure to consider special trolleys, as detailed below).

Sliding in the trolleys .....

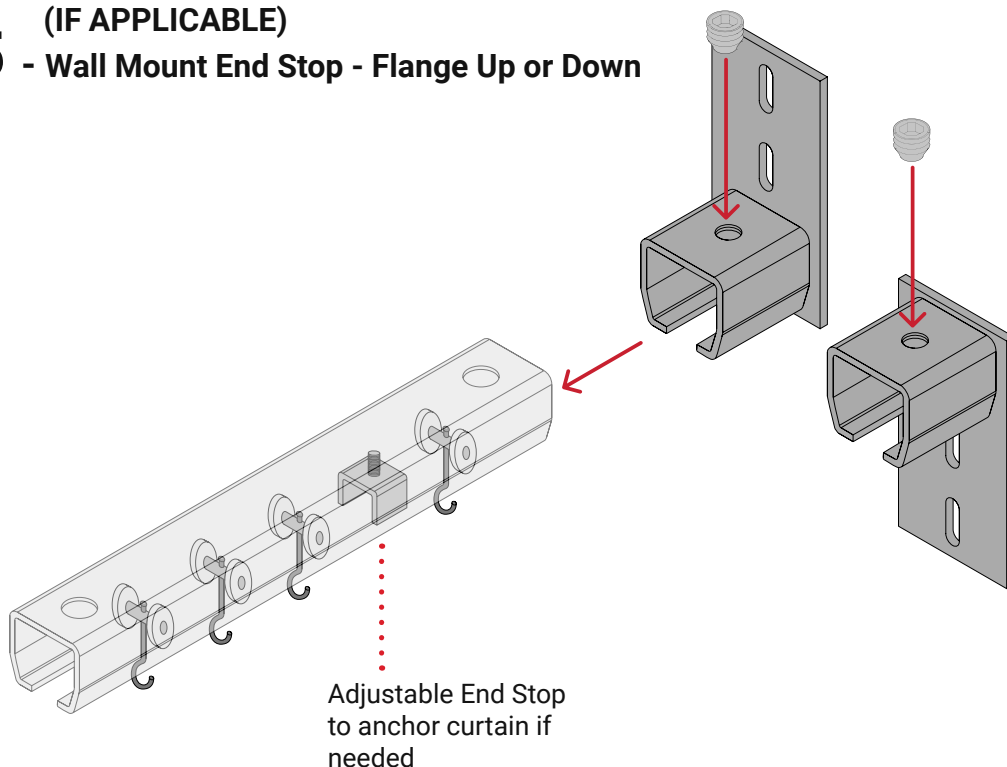
Sliding in a pull rope trolley (does not need a grommet). Will be to the curtain. ....

Sliding in an overlap trolley (used to allow 2 curtains to overlap where they meet). Needs 2 grommets on the same curtain (should be placed on the curtain that you want to bypass/overlap the other). ....

Sliding in an adjustable end stop (to anchor one end of the curtain, so that it does not move, place the adjustable end stop between the last and second-to-last trolleys) .....



**Step 5** (IF APPLICABLE) - Wall Mount End Stop - Flange Up or Down



**Step 6** - Hanging Curtain

Align and match curtain grommets with available trolley hooks.

